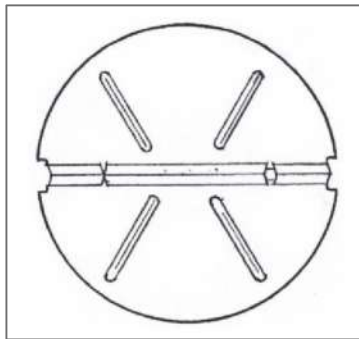


PRODUCT DATA SHEET



Features

- ✓ No more blades flopping loose, wasting energy
- ✓ Built-in channel saves assembly time & ensures blade stability in the air current
- ✓ Available with 3/8 in. square bar cut to size
- ✓ No more time wasted attaching bars to blades
- ✓ Stackable to reduce shipping volume & cost (150 blades stack less than 10 in. high)
- ✓ **U-channels** attach RECTANGULAR blades or ROUND blades cut in-house from scrap, onto 3/8 in. or 1/2 in. square bar for use with Rossi regulators & bushings

Construction | Materials

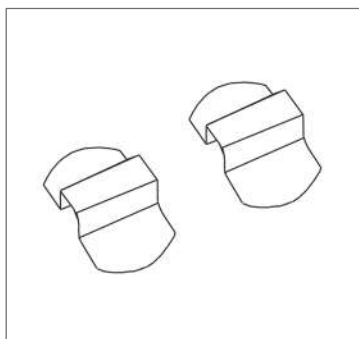
————— **Made in the USA** —————

Blades Galvanized ASTM-A527 LFO G90, Effective strength 18 gauge, made from 20 and 22 gauge material with additional reinforcement added via ribbing engineered throughout the blade

Bars Aluminum 6061

U-Channels Galvanized ASTM-A527 LFO G90, 22 gauge

U-Channels™



Dimensions | Part Number

- Blades available for 4 in. to 16 in. round dampers (RD-04 through RD-16)
- Bars are 3/8 in. square
- U-Channels are available for 3/8 in. or 1/2 in. square bar (U-Channel)

Safety | Quality Guarantee

All materials comply with **SMACNA standards** and are **UL-listed & Plenum-rated**.

